

POWER AMPLIFIER

KAC-5203

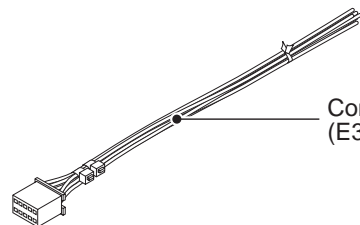
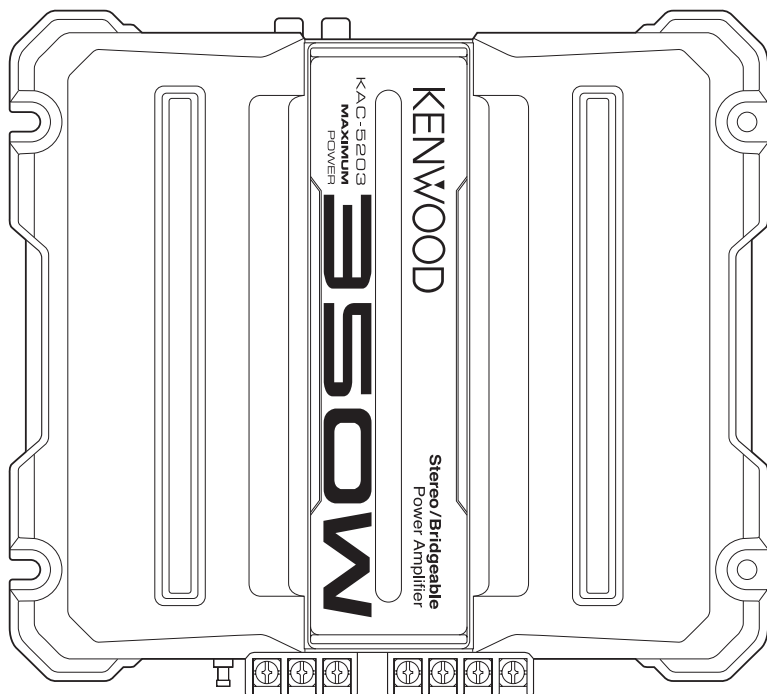
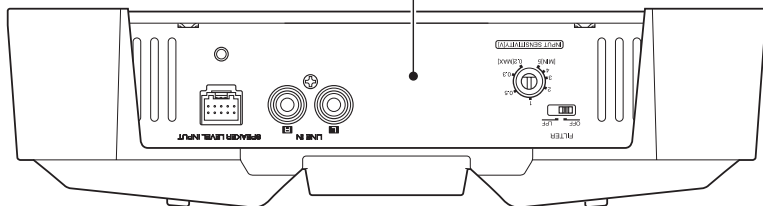
SERVICE MANUAL

KENWOOD

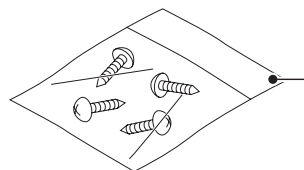
Kenwood Corporation

© 2007-1 PRINTED IN JAPAN
B53-0495-00 (N) 955

Panel
(A64-4134-02)



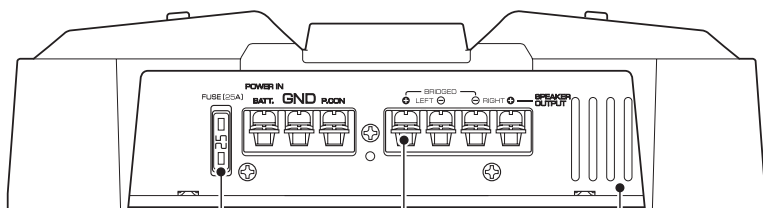
Connecting cord assy
(E30-6145-05)



Screw set
(N99-1587-05)



Accessory
(W01-1607-05)



Fuse (25A)
(F52-0014-05)

Screw washer
(N09-4215-08)

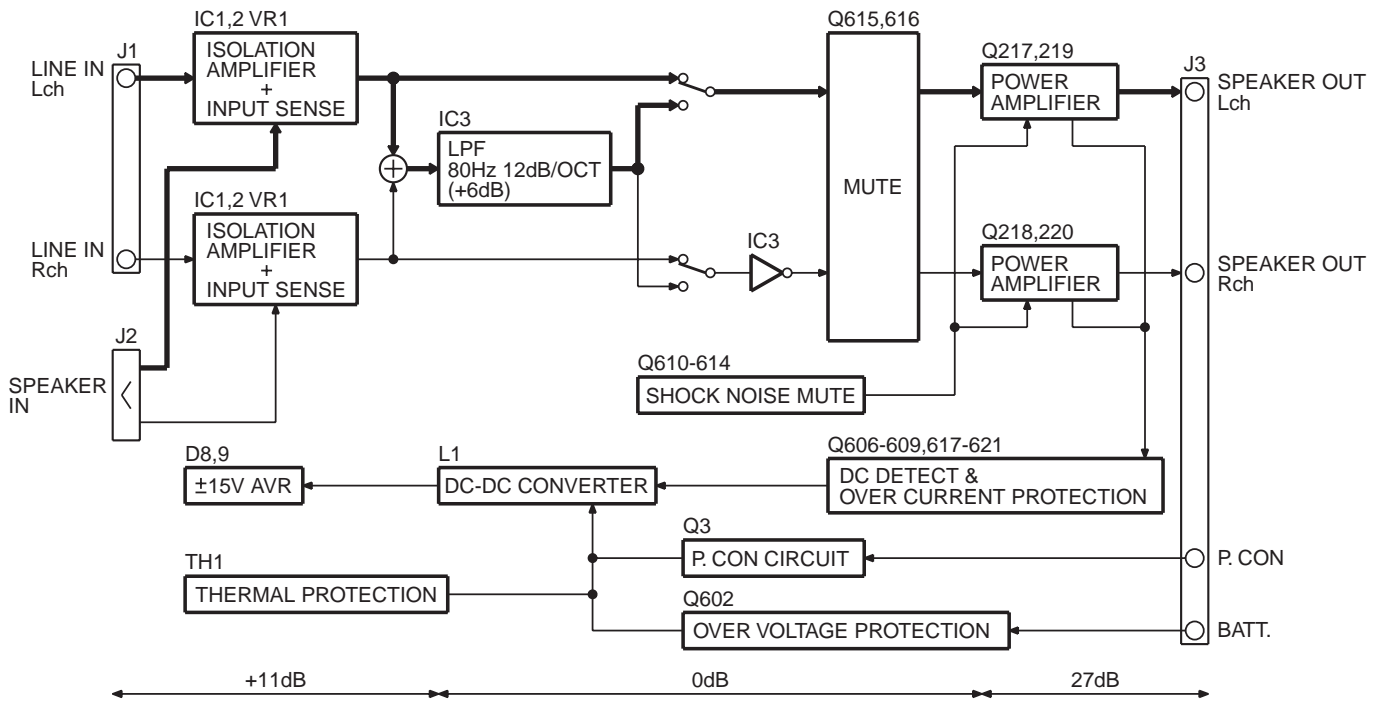
Rear panel
(A84-0463-02)

This product uses Lead Free solder.



KAC-5203

BLOCK DIAGRAM



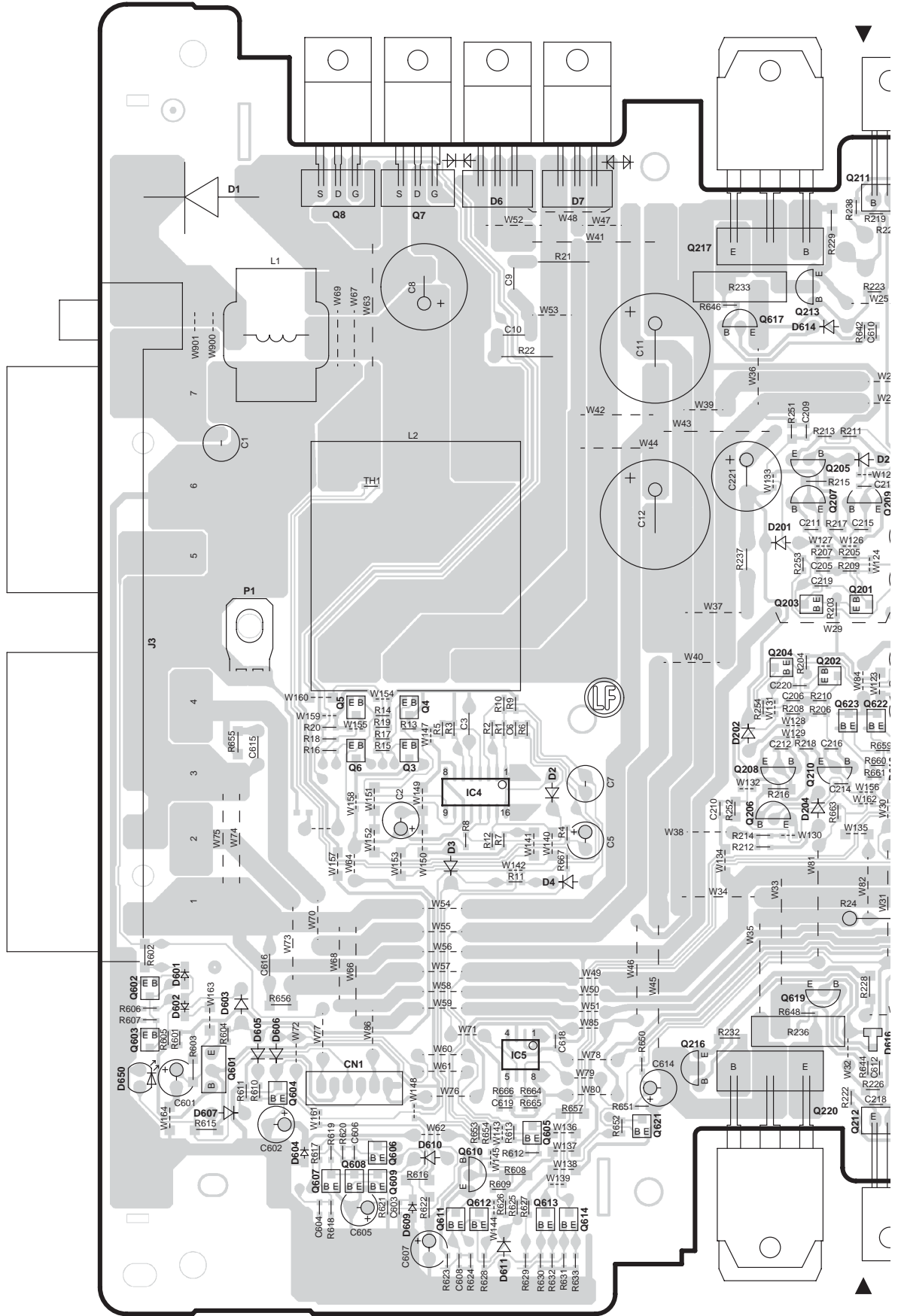
COMPONENTS DESCRIPTION

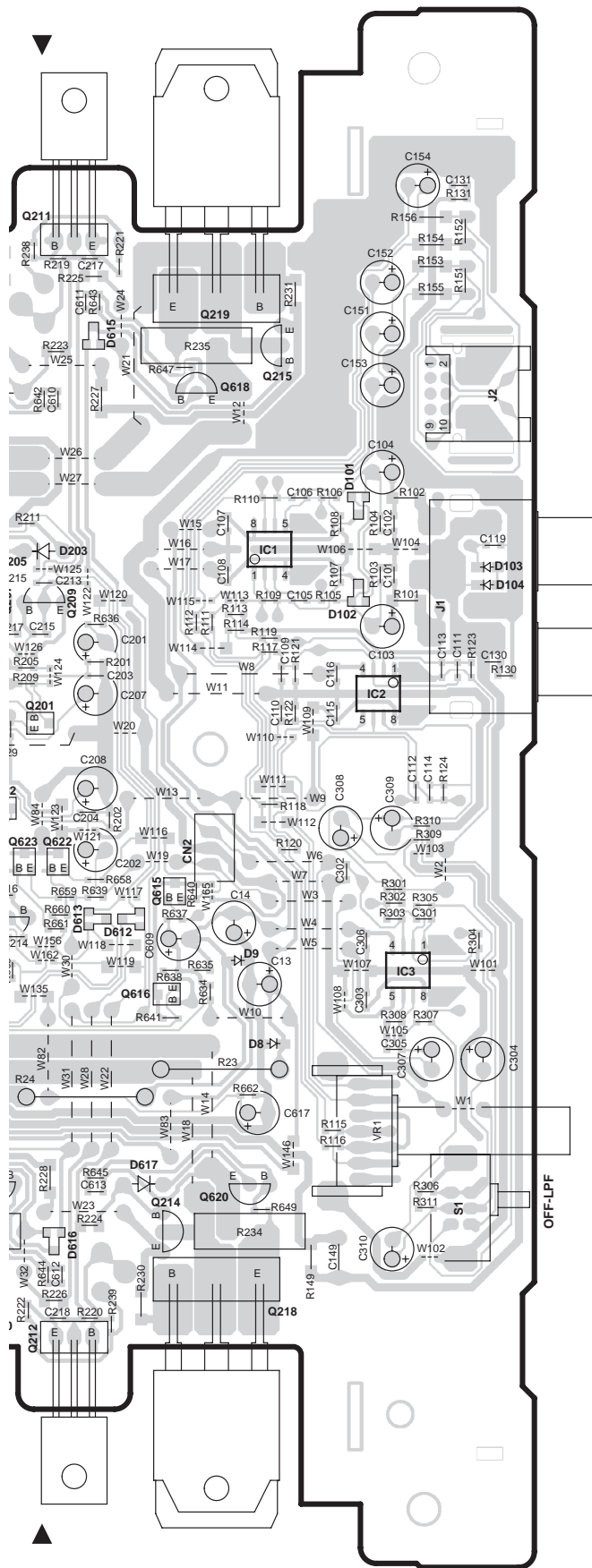
● AUDIO UNIT (X09-8612-70)

Ref. No.	Application / Function	Operation / Condition / Compatibility
IC1,2	Input Isolation AMP	
IC3	Pin 1-3: LPF, Pin 5-7: Inverter	
IC4	DC-DC Comparator	
IC5	Attenuator Driver	
Q3-6	FET Driver	
Q7,8	For DC-DC Comparator	
Q201~204	Difference AMP 1st Stage	
Q205,206	Current Mirror	
Q207~210	Difference AMP 2nd Stage	
Q211,212	Temperature Compensation	
Q213~216	Darlington 1st Stage	
Q217~220	Final Stage	
Q601	Voltage Supply	
Q602	Over-voltage Protection	
Q603	P.CON	
Q604,605	Mute Driver	
Q606~609	DC Protection	
Q610~614	Shock Noise Mute	When turning power ON/OFF, the protection functions.
Q615,616	Mute	
Q617~621	Over-current DET	
Q622,623	Attenuator	
D1	BATT Reverse Connection Protection	
D2,3	IC4 Reverse Breakdown Voltage Protection	
D4	Mute Driver	
D6,7	DC-DC Rectifier	
D8,9	15V AVR	
D101~104	Static Electricity Countermeasure	
D201,202	Difference AMP 2nd Stage	
D203,204	Current Mirror	
D601	Voltage Supply	
D602	Over-voltage DET	
D603	Voltage Supply	
D604	Shock Noise Mute	When turning power ON/OFF, the protection functions.
D605,606	Mute Driver	
D607	LED Control	
D609,610	DC Protection	
D611~613	Shock Noise Mute	When turning power ON/OFF, the protection functions.
D614~617	Over-current DET	
D650	P.CON-ON DET	When P.CON is ON, the LED lights. When DC protection functions, the LED goes out.

KAC-5203
PC BOARD (FOIL SIDE VIEW)

AUDIO UNIT X09-8612-70 (J76-0349-11)





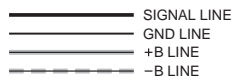
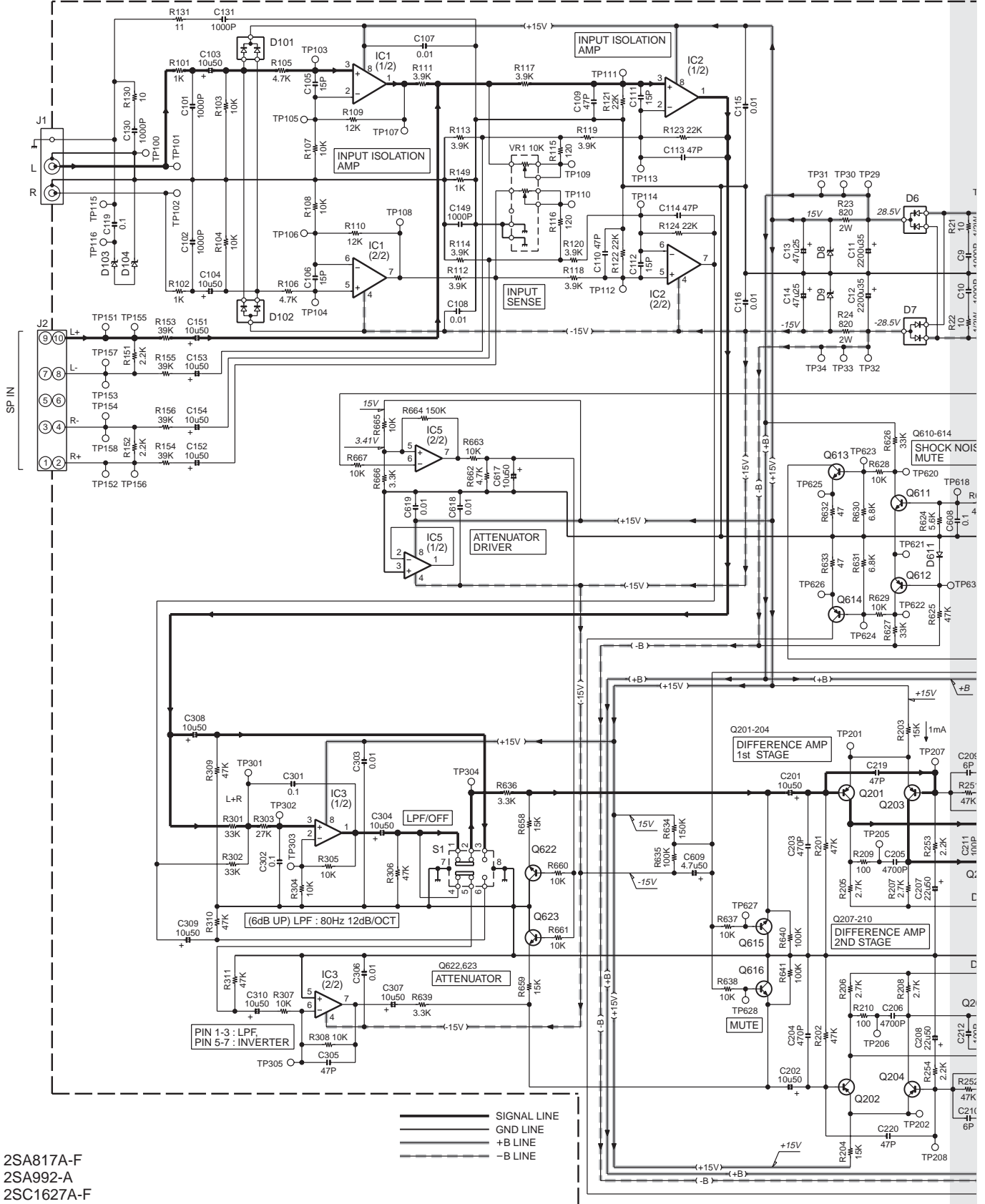
X09-8612-70

Ref. No.	Address	Ref. No.	Address
IC1	3F	Q217	2E
IC2	4G	Q218	6G
IC3	5G	Q219	2F
IC4	5D	Q220	6E
IC5	6D	Q601	6C
Q3	5C	Q602	6B
Q4	4C	Q603	6B
Q5	4C	Q604	6C
Q6	5C	Q605	6D
Q7	2C	Q606	6C
Q8	2C	Q607	7C
Q201	4E	Q608	6C
Q202	4E	Q609	7C
Q203	4E	Q610	6D
Q204	4E	Q611	7C
Q205	3E	Q612	7D
Q206	5E	Q613	7D
Q207	4E	Q614	7D
Q208	5E	Q615	5F
Q209	4F	Q616	5F
Q210	5E	Q617	3E
Q211	2F	Q618	3F
Q212	6E	Q619	6E
Q213	3E	Q620	6F
Q214	6F	Q621	6D
Q215	3G	Q622	4F
Q216	6E	Q623	4E

Refer to the schematic diagram for the values of resistors and capacitors.

KAC-5203

AUDIO UNIT (X09-8612-70)

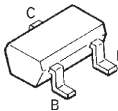
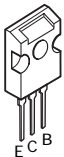
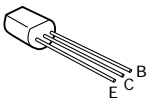


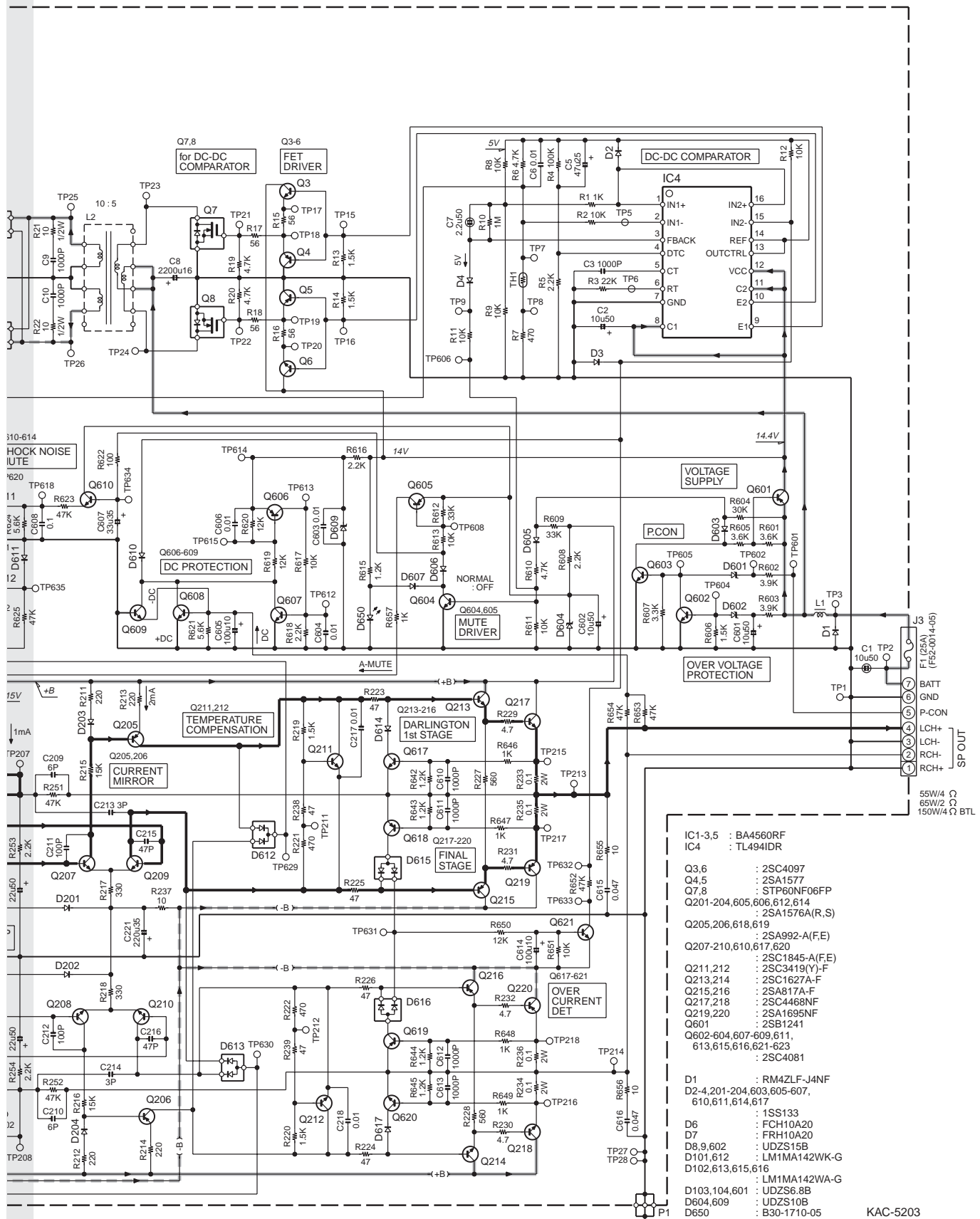
2SA817A-F
2SA992-A
2SC1627A-F
2SC1845-A

2SA1576A

2SC3419

2SC4081





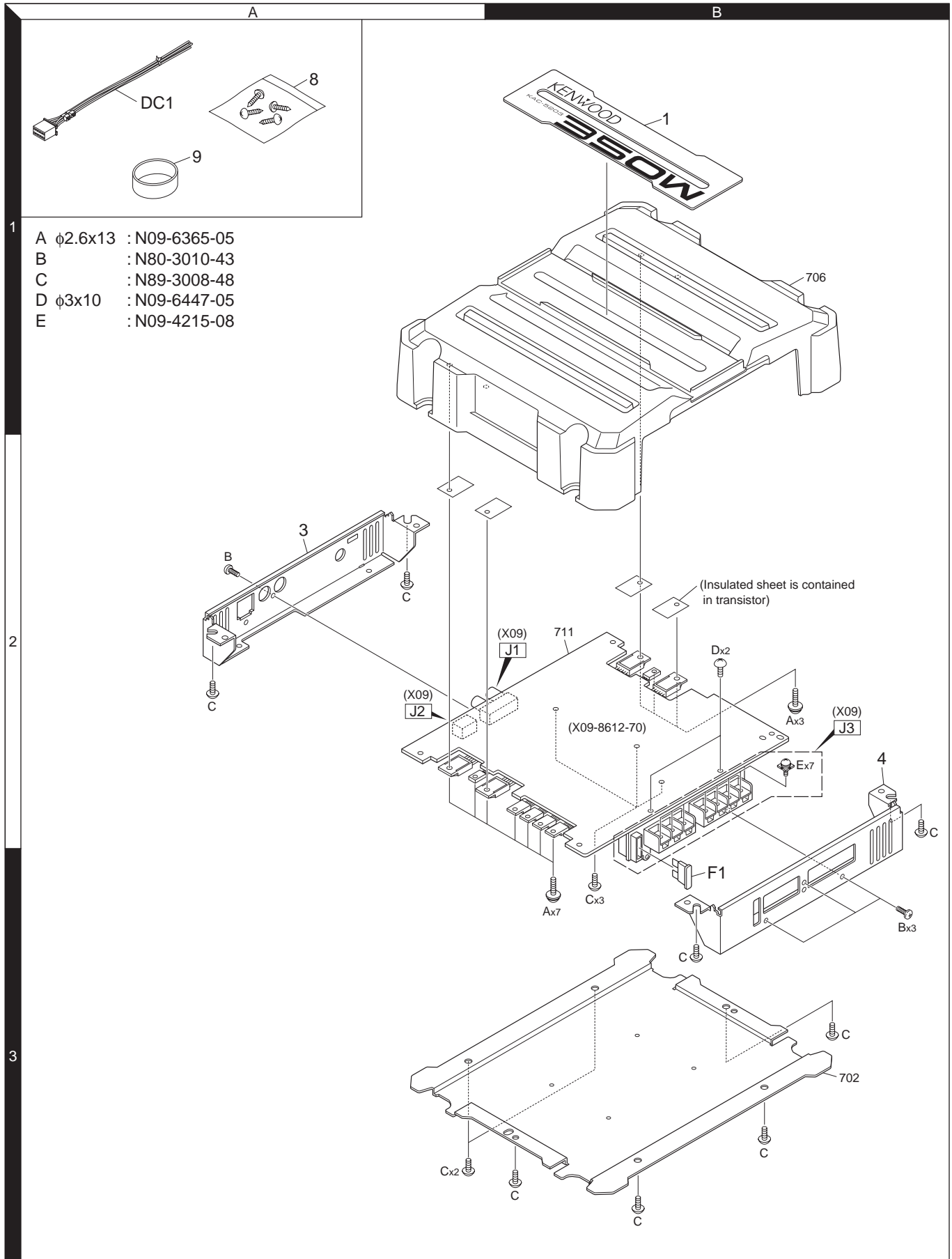
CAUTION : For continued safety, replace safety critical components only with manufacturer's recommended parts (refer to parts list).
 ⚠ Indicates safety critical components. To reduce the risk of electric shock, leakage-current or resistance measurements shall be carried out (exposed parts are acceptably insulated from the supply circuit) before the appliance is returned to the customer.

- DC voltages are as measured with a high impedance voltmeter. Values may vary slightly due to variations between individual instruments or/and units.

KAC-5203

KAC-5203

EXPLODED VIEW



PARTS LIST

* New parts

Parts without **Parts No.** are not supplied.

Les articles non mentionnés dans le **Parts No.** ne sont pas fournis.

Teile ohne **Parts No.** werden nicht geliefert.

Ref. No.	Add	New	Parts No.	Description	Destination
KAC-5203					
1	1B	*	A21-6586-03	DRESSING PANEL	KE1
	1B	*	A21-6587-03	DRESSING PANEL	M1
3	2A	*	A64-4134-02	PANEL	
4	2B	*	A84-0463-02	REAR PANEL	
-		*	B64-3531-00	INST. MANUAL (ENG.FRE.SPA.)	KE1
-		*	B64-3532-00	INST. MANUAL (GER.DUT.ITA.POR.)	E1
-		*	B64-3533-00	INST. MANUAL (ENG.T-CHI.S-CHI.)	M1
DC1	1A		E30-6145-05	CONNECTING CORD ASSY	
△ F1	3B		F52-0014-05	FUSE (BLADE TYPE) (25A)	
-		*	H54-3981-03	ITEM CARTON CASE	KE1
-		*	H54-3983-03	ITEM CARTON CASE	M1
8	1A		N99-1587-05	SCREW SET	
A	2B		N09-6365-05	SEMS (TAPTITE SCREW) (2.6X13)	
B	3B		N80-3010-43	PAN HEAD TAPTITE SCREW	
C	3B		N89-3008-48	BINDING HEAD TAPTITE SCREW	
E	2B		N09-4215-08	SCREW WASHER	
9	1A		W01-1607-05	ACCESSORY	
AUDIO UNIT (X09-8612-70)					
D650			B30-1710-05	LED (RED)	
C1			CD04AU1H100M	NP-ELEC 10UF 50WV	
C2			CD04BJ1H100M	ELECTRO 10UF 50WV	
C3			CQ93FMG1H102J	MYLAR 1000PF J	
C5			CD04BJ1E470M	ELECTRO 47UF 25WV	
C6			CK73GB1H103K	CHIP C 0.010UF K	
C7			CD04AU1H2R2M	NP-ELEC 2.2UF 50WV	
C8			CD04AZ1C222M	ELECTRO 2200UF 16WV	
C9,10			CK45FB1H102K	CERAMIC 1000PF K	
C11,12			CD04AZ1V222M	ELECTRO 2200UF 35WV	
C13,14			CD04BJ1E470M	ELECTRO 47UF 25WV	
C101,102			CK73GB1H102K	CHIP C 1000PF K	
C103,104			CD04BJ1H100M	ELECTRO 10UF 50WV	
C105,106			CC73GCH1H150J	CHIP C 15PF J	
C107,108			CK73GB1H103K	CHIP C 0.010UF K	
C109,110			CC73GCH1H470J	CHIP C 47PF J	
C111,112			CC73GCH1H150J	CHIP C 15PF J	
C113,114			CC73GCH1H470J	CHIP C 47PF J	
C115,116			CK73GB1H103K	CHIP C 0.010UF K	
C119			CK73GB1H104K	CHIP C 0.10UF K	
C130,131			CK73GB1H102K	CHIP C 1000PF K	
C149			CK45FB1H102K	CERAMIC 1000PF K	
C151-154			CD04BJ1H100M	ELECTRO 10UF 50WV	
C201,202			CD04BJ1H100M	ELECTRO 10UF 50WV	
C203,204			CC73GCH1H471J	CHIP C 470PF J	
C205,206			CK73GB1H472K	CHIP C 4700PF K	
C207,208			CD04BJ1E470M	ELECTRO 47UF 25WV	
C209,210			CC73GCH1H060D	CHIP C 6.0PF D	
C211,212			CC73GCH1H101J	CHIP C 100PF J	
C213,214			CC73GCH1H030C	CHIP C 3.0PF C	
C215,216			CC73GCH1H470J	CHIP C 47PF J	

Ref. No.	Add	New	Parts No.	Description	Destination
C217,218			CK73GB1H103K	CHIP C 0.010UF K	
C219,220			CC73GCH1H470J	CHIP C 47PF J	
C221			CD04BJ1V221M	ELECTRO 220UF 35WV	
C301,302			CK73GB1H104K	CHIP C 0.10UF K	
C303			CK73GB1H103K	CHIP C 0.010UF K	
C304			CD04BJ1H100M	ELECTRO 10UF 50WV	
C305			CC73GCH1H470J	CHIP C 47PF J	
C306			CK73GB1H103K	CHIP C 0.010UF K	
C307-310			CD04BJ1H100M	ELECTRO 10UF 50WV	
C601,602			CD04BJ1H100M	ELECTRO 10UF 50WV	
C603,604			CK73GB1H103K	CHIP C 0.010UF K	
C605			CD04BJ1A101M	ELECTRO 100UF 10WV	
C606			CK73GB1H103K	CHIP C 0.010UF K	
C607			CD04BJ1V330M	ELECTRO 33UF 35WV	
C608			CK73GB1H104K	CHIP C 0.10UF K	
C609			CD04BJ1H4R7M	ELECTRO 4.7UF 50WV	
C610-613			CK73GB1H102K	CHIP C 1000PF K	
C614			CD04BJ1A101M	ELECTRO 100UF 10WV	
C615,616			CQ93FMG1H473J	MYLAR 0.047UF J	
C617			CD04BJ1H100M	ELECTRO 10UF 50WV	
C618,619			CK73GB1H103K	CHIP C 0.010UF K	
J1	2B		E63-0938-05	PIN JACK	
J2	2A		E58-1031-05	RECTANGULAR RECEPTACLE	
J3	2B		E70-0830-25	SCREW TERMINAL BOARD	
L1		*	L33-2412-05	CHOKE COIL	
L2		*	L19-0808-05	TRANSFORMER FOR CONVERTER	
D	2B		N09-6447-05	TAPTITE SCREW (3X10)	
R1			RK73GB2A102J	CHIP R 1.0K J 1/10W	
R2			RK73GB2A103J	CHIP R 10K J 1/10W	
R3			RK73GB2A223J	CHIP R 22K J 1/10W	
R4			RK73GB2A104J	CHIP R 100K J 1/10W	
R5			RK73GB2A222J	CHIP R 2.2K J 1/10W	
R6			RK73GB2A472J	CHIP R 4.7K J 1/10W	
R7			RK73GB2A471J	CHIP R 470 J 1/10W	
R8,9			RK73GB2A103J	CHIP R 10K J 1/10W	
R10			RK73GB2A105J	CHIP R 1.0M J 1/10W	
R11,12			RK73GB2A103J	CHIP R 10K J 1/10W	
R13,14			RK73GB2A152J	CHIP R 1.5K J 1/10W	
R15-18			RK73GB2A560J	CHIP R 56 J 1/10W	
R19,20			RK73GB2A472J	CHIP R 4.7K J 1/10W	
R21,22			RD14DB2H100J	SMALL-RD 10 J 1/2W	
R23,24			RS14KB3D821J	FL-PROOF RS 820 J 2W	
R101,102			RK73EB2E102J	CHIP R 1.0K J 1/4W	
R103,104			RK73GB2A103J	CHIP R 10K J 1/10W	
R105,106			RK73GB2A472J	CHIP R 4.7K J 1/10W	
R107,108			RK73GB2A103J	CHIP R 10K J 1/10W	
R109,110			RK73GB2A123J	CHIP R 12K J 1/10W	
R111-114			RK73GH2A392D	CHIP R 3.9K D 1/10W	
R115,116			RK73GB2A121J	CHIP R 120 J 1/10W	
R117-120			RK73GH2A392D	CHIP R 3.9K D 1/10W	
R121-124			RK73GH2A223D	CHIP R 22K D 1/10W	
R130			RK73GB2A100J	CHIP R 10 J 1/10W	

E : Europe K : North America M : Other Areas W : Without Europe

△ Indicates safety critical components.

PARTS LIST

AUDIO UNIT (X09-8612-70)

Ref. No.	A d d	N e w	Parts No.	Description	Desti- nation
R131			RK73GB2A110J	CHIP R 11 J 1/10W	
R149			RK73EB2E102J	CHIP R 1.0K J 1/4W	
R151,152			RK73EB2E222J	CHIP R 2.2K J 1/4W	
R153-156		*	RK73EB2E393J	CHIP R 39K J 1/4W	
R201,202			RK73GB2A473J	CHIP R 47K J 1/10W	
R203,204			RK73GB2A153J	CHIP R 15K J 1/10W	
R205-208			RK73GB2A272J	CHIP R 2.7K J 1/10W	
R209,210			RK73GB2A101J	CHIP R 100 J 1/10W	
R211-214			RK73GB2A221J	CHIP R 220 J 1/10W	
R215,216			RK73EB2E153J	CHIP R 15K J 1/4W	
R217,218			RK73GB2A331J	CHIP R 330 J 1/10W	
R219,220			RK73GB2A152J	CHIP R 1.5K J 1/10W	
R221,222			RK73GB2A471J	CHIP R 470 J 1/10W	
R223-226			RK73FB2B470J	CHIP R 47 J 1/8W	
R227,228			RK73EB2E561J	CHIP R 560 J 1/4W	
R229-232			RK73EB2E4R7J	CHIP R 4.7 J 1/4W	
R233-236			R92-0205-05	METAL-PLATE 0.1 K 2W	
R237			RD14NB2E100J	RD 10 J 1/4W	
R238,239			RK73GB2A470J	CHIP R 47 J 1/10W	
R251,252			RK73FB2B473J	CHIP R 47K J 1/8W	
R253,254			RK73GB2A222J	CHIP R 2.2K J 1/10W	
R301,302			RK73GB2A333J	CHIP R 33K J 1/10W	
R303			RK73GB2A273J	CHIP R 27K J 1/10W	
R304,305			RK73GB2A103J	CHIP R 10K J 1/10W	
R306			RK73GB2A473J	CHIP R 47K J 1/10W	
R307,308			RK73GB2A103J	CHIP R 10K J 1/10W	
R309-311			RK73GB2A473J	CHIP R 47K J 1/10W	
R601			RK73GB2A362J	CHIP R 3.6K J 1/10W	
R602,603			RK73EB2E392J	CHIP R 3.9K J 1/4W	
R604			RK73GB2A303J	CHIP R 30K J 1/10W	
R605			RK73GB2A362J	CHIP R 3.6K J 1/10W	
R606			RK73GB2A152J	CHIP R 1.5K J 1/10W	
R607			RK73GB2A332J	CHIP R 3.3K J 1/10W	
R608			RK73EB2E222J	CHIP R 2.2K J 1/4W	
R609			RK73GB2A333J	CHIP R 33K J 1/10W	
R610			RK73GB2A472J	CHIP R 4.7K J 1/10W	
R611			RK73GB2A103J	CHIP R 10K J 1/10W	
R612			RK73GB2A333J	CHIP R 33K J 1/10W	
R613			RK73GB2A103J	CHIP R 10K J 1/10W	
R615			RK73EB2E122J	CHIP R 1.2K J 1/4W	
R616			RK73EB2E222J	CHIP R 2.2K J 1/4W	
R617			RK73GB2A103J	CHIP R 10K J 1/10W	
R618			RK73GB2A222J	CHIP R 2.2K J 1/10W	
R619,620			RK73GB2A123J	CHIP R 12K J 1/10W	
R621			RK73GB2A562J	CHIP R 5.6K J 1/10W	
R622			RK73EB2E101J	CHIP R 100 J 1/4W	
R623			RK73GB2A473J	CHIP R 47K J 1/10W	
R624			RK73GB2A562J	CHIP R 5.6K J 1/10W	
R625			RK73GB2A473J	CHIP R 47K J 1/10W	
R626,627			RK73GB2A333J	CHIP R 33K J 1/10W	
R628,629			RK73GB2A103J	CHIP R 10K J 1/10W	
R630,631			RK73GB2A682J	CHIP R 6.8K J 1/10W	
R632,633			RK73GB2A220J	CHIP R 22 J 1/10W	
R634			RK73GB2A154J	CHIP R 150K J 1/10W	
R635			RK73GB2A104J	CHIP R 100K J 1/10W	

Ref. No.	A d d	N e w	Parts No.	Description	Desti- nation
R636			RK73GB2A332J	CHIP R 3.3K J 1/10W	
R637,638			RK73GB2A103J	CHIP R 10K J 1/10W	
R639			RK73GB2A332J	CHIP R 3.3K J 1/10W	
R640,641			RK73GB2A104J	CHIP R 100K J 1/10W	
R642-645			RK73GB2A122J	CHIP R 1.2K J 1/10W	
R646-649			RK73GB2A102J	CHIP R 1.0K J 1/10W	
R650			RK73GB2A123J	CHIP R 12K J 1/10W	
R651			RK73GB2A103J	CHIP R 10K J 1/10W	
R652-654			RK73GB2A473J	CHIP R 47K J 1/10W	
R655,656			RK73EB2E100J	CHIP R 10 J 1/4W	
R657			RK73EB2E102J	CHIP R 1.0K J 1/4W	
R658,659			RK73GB2A153J	CHIP R 15K J 1/10W	
R660,661			RK73GB2A103J	CHIP R 10K J 1/10W	
R662			RK73GB2A472J	CHIP R 4.7K J 1/10W	
R663			RK73GB2A103J	CHIP R 10K J 1/10W	
R664			RK73GB2A154J	CHIP R 150K J 1/10W	
R665			RK73GB2A103J	CHIP R 10K J 1/10W	
R666			RK73GB2A332J	CHIP R 3.3K J 1/10W	
R667			RK73GB2A103J	CHIP R 10K J 1/10W	
VR1			R31-0232-15	VARIABLE RESISTOR (10K,A)	
W101			R92-2053-05	CHIP R 0 OHM J 1/8W	
W102,103			R92-1252-05	CHIP R 0 OHM J 1/16W	
W104			R92-2053-05	CHIP R 0 OHM J 1/8W	
W105			R92-1252-05	CHIP R 0 OHM J 1/16W	
W106,107			R92-2053-05	CHIP R 0 OHM J 1/8W	
W108			R92-1252-05	CHIP R 0 OHM J 1/16W	
W109			R92-2053-05	CHIP R 0 OHM J 1/8W	
W110			R92-1252-05	CHIP R 0 OHM J 1/16W	
W111,112			R92-2053-05	CHIP R 0 OHM J 1/8W	
W113			R92-1252-05	CHIP R 0 OHM J 1/16W	
W114			R92-2053-05	CHIP R 0 OHM J 1/8W	
W115			R92-1252-05	CHIP R 0 OHM J 1/16W	
W116			R92-2053-05	CHIP R 0 OHM J 1/8W	
W117			R92-1252-05	CHIP R 0 OHM J 1/16W	
W118-120			R92-2053-05	CHIP R 0 OHM J 1/8W	
W121,122			R92-1252-05	CHIP R 0 OHM J 1/16W	
W123			R92-2053-05	CHIP R 0 OHM J 1/8W	
W124-130			R92-1252-05	CHIP R 0 OHM J 1/16W	
W131			R92-2053-05	CHIP R 0 OHM J 1/8W	
W132,133			R92-1252-05	CHIP R 0 OHM J 1/16W	
W134-138			R92-2053-05	CHIP R 0 OHM J 1/8W	
W139			R92-1252-05	CHIP R 0 OHM J 1/16W	
W140,141			R92-2053-05	CHIP R 0 OHM J 1/8W	
W142-148			R92-1252-05	CHIP R 0 OHM J 1/16W	
W149-153			R92-2053-05	CHIP R 0 OHM J 1/8W	
W154-156			R92-1252-05	CHIP R 0 OHM J 1/16W	
W157			R92-2053-05	CHIP R 0 OHM J 1/8W	
W158,159			R92-1252-05	CHIP R 0 OHM J 1/16W	
W160			R92-2053-05	CHIP R 0 OHM J 1/8W	
W161			R92-1252-05	CHIP R 0 OHM J 1/16W	
W163,164			R92-2053-05	CHIP R 0 OHM J 1/8W	
S1			S62-0842-05	SLIDE SWITCH	
D1			RM4ZLF-J4NF	DIODE	

E : Europe K : North America M : Other Areas W : Without Europe

△ Indicates safety critical components.

PARTS LIST

AUDIO UNIT (X09-8612-70)

Ref. No.	Add	New	Parts No.	Description	Destination	Ref. No.	Add	New	Parts No.	Description	Destination
D2-4			1SS133	DIODE							
D6			FCH10A20	DIODE							
D7			FRH10A20	DIODE							
D8,9			UDZS15B	ZENER DIODE							
D101			LM1MA142WK-G	DIODE							
D102			LM1MA142WA-G	DIODE							
D103,104			UDZS6.8B	ZENER DIODE							
D201-204			1SS133	DIODE							
D601			UDZS6.8B	ZENER DIODE							
D602			UDZS15B	ZENER DIODE							
D603			1SS133	DIODE							
D604			UDZS10B	ZENER DIODE							
D605-607			1SS133	DIODE							
D609			UDZS10B	ZENER DIODE							
D610,611			1SS133	DIODE							
D612			LM1MA142WK-G	DIODE							
D613			LM1MA142WA-G	DIODE							
D614			1SS133	DIODE							
D615,616			LM1MA142WA-G	DIODE							
D617			1SS133	DIODE							
IC1-3			BA4560RF	ANALOGUE IC							
IC4			TL494IDR	ANALOGUE IC							
IC5			BA4560RF	ANALOGUE IC							
Q3			2SC4097	TRANSISTOR							
Q4,5			2SA1577	TRANSISTOR							
Q6			2SC4097	TRANSISTOR							
Q7,8			STP60NF06FP	FET							
Q201-204			2SA1576A(R,S)	TRANSISTOR							
Q205,206			2SA992-A(F,E)	TRANSISTOR							
Q207-210			2SC1845-A(F,E)	TRANSISTOR							
Q211,212			2SC3419(Y)-F	TRANSISTOR							
Q213,214			2SC1627A-F	TRANSISTOR							
Q215,216			2SA817A-F	TRANSISTOR							
Q217,218			2SC4468NF	TRANSISTOR							
Q219,220			2SA1695NF	TRANSISTOR							
Q601			2SB1241	TRANSISTOR							
Q602-604			2SC4081	TRANSISTOR							
Q605,606			2SA1576A(R,S)	TRANSISTOR							
Q607-609			2SC4081	TRANSISTOR							
Q610			2SC1845-A(F,E)	TRANSISTOR							
Q611			2SC4081	TRANSISTOR							
Q612			2SA1576A(R,S)	TRANSISTOR							
Q613			2SC4081	TRANSISTOR							
Q614			2SA1576A(R,S)	TRANSISTOR							
Q615,616			2SC4081	TRANSISTOR							
Q617			2SC1845-A(F,E)	TRANSISTOR							
Q618,619			2SA992-A(F,E)	TRANSISTOR							
Q620			2SC1845-A(F,E)	TRANSISTOR							
Q621-623			2SC4081	TRANSISTOR							
TH1			NCP18WB473J0S	THERMISTOR (47K OHM)							

E : Europe K : North America M : Other Areas W : Without Europe

△ Indicates safety critical components.

SPECIFICATIONS

CEA-2006

RMS Watts per channel @ 4Ω, 1% THD+N	55W x 2
Signal to Noise Ratio (Reference: 1W into 4Ω)	80dBA

Audio Section

Max Power Output	350W
Rated Power Output	
Normal (4Ω) (20Hz~20kHz, 0.08% THD)	55W x 2
Normal (4Ω) (DIN: 45324, +B=14.4V)	55W x 2
Normal (2Ω) (1kHz, 0.8% THD)	75W x 2
Bridged (4Ω) (1kHz, 0.8% THD)	150W x 1
Frequency Response (+0, -3dB)	5Hz~50kHz
Sensitivity (rated output) (MAX.)	0.2V
Sensitivity (rated output) (MIN.)	5.0V
Signal to Noise Ratio	95dB
Input Impedance	10kΩ
Low Pass Filter Frequency (-12dB/oct.)	80Hz

General

Operating Voltage	14.4V (11~16V allowable)
Current Consumption	17A
Dimensions (W x H x D)	
.....	230 x 55 x 198 mm (9-1/16 x 2-3/16 x 7-13/16 inch)
Weight	1.7kg (3.75lbs)

KENWOOD follows a policy of continuous advancements in development.
For this reason specifications may be changed without notice.

INSTALLATION

